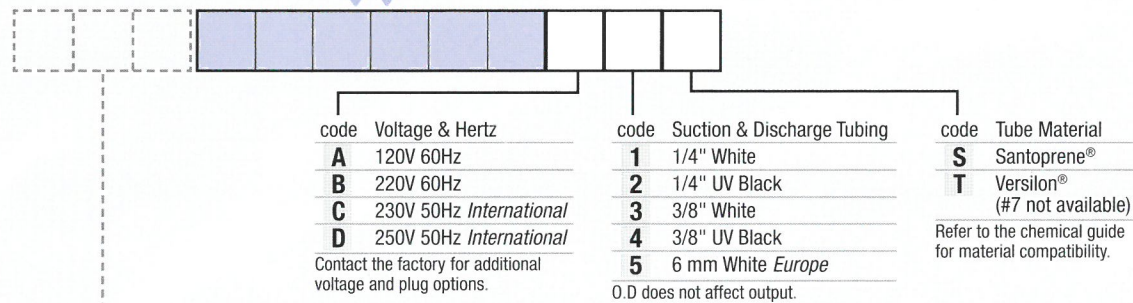


Classic Series Single Head

Adjustable Flow Rate Outputs Approximate gpd @ 60Hz

Model	Item Number Prefix	Maximum psi	Pump Tube	Feed Rate Control Setting										
				L	1	2	3	4	5	6	7	8	9	10
45MHP2	45MJH1	100	1	0.2	0.3	0.6	0.9	1.2	1.5	1.8	2.1	2.4	2.7	3.0
45M1	45MJL1	25		0.2	0.3	0.6	0.9	1.2	1.5	1.8	2.1	2.4	2.7	3.0
45MHP10	45MJH2	100	2	0.5	1.0	2.0	3.0	4.0	5.0	6.0	7.0	8.0	9.0	10.0
45M2	45MJL2	25		0.5	1.0	2.0	3.0	4.0	5.0	6.0	7.0	8.0	9.0	10.0
45MHP22	45MJH7	100	7	1.1	2.2	4.4	6.6	8.8	11.0	13.2	15.4	17.6	19.8	22.0
45M3	45MJL3	25		1.1	2.2	4.4	6.6	8.8	11.0	13.2	15.4	17.6	19.8	22.0
45M4	45MJL4	25	4	1.7	3.5	7.0	10.5	14.0	17.5	21.0	24.5	28.0	31.5	35.0
45M5	45MJL5	25		1.7	3.5	7.0	10.5	14.0	17.5	21.0	24.5	28.0	31.5	35.0
85MHP5	85MJH1	100	1	0.3	0.5	1.0	1.5	2.0	2.5	3.0	3.5	4.0	4.5	5.0
85M1	85MJL1	25		0.3	0.5	1.0	1.5	2.0	2.5	3.0	3.5	4.0	4.5	5.0
85MHP17	85MJH2	100	2	0.8	1.7	3.4	5.1	6.8	8.5	10.2	11.9	13.6	15.3	17.0
85M2	85MJL2	25		0.8	1.7	3.4	5.1	6.8	8.5	10.2	11.9	13.6	15.3	17.0
85MHP40	85MJH7	100	7	2.0	4.0	8.0	12.0	16.0	20.0	24.0	28.0	32.0	36.0	40.0
85M3	85MJL3	25		2.0	4.0	8.0	12.0	16.0	20.0	24.0	28.0	32.0	36.0	40.0
85M4	85MJL4	25	4	3.0	6.0	12.0	18.0	24.0	30.0	36.0	42.0	48.0	54.0	60.0
85M5	85MJL5	25		3.0	6.0	12.0	18.0	24.0	30.0	36.0	42.0	48.0	54.0	60.0

To Order, Build Pump Item Number Insert item number prefix and code for each specification.



Fixed Flow Rate Outputs Approximate gpd @ 60Hz

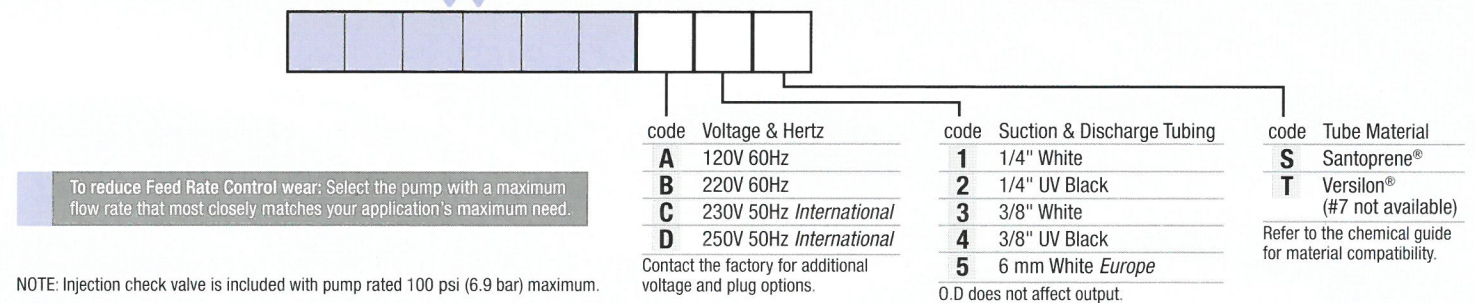
Model	Item Number Prefix	Maximum psi	Pump Tube	Gallons per Day
45MHP2	45MFH1	100	1	3.0
45MP1	45MFL1	25		
45MHP10	45MFH2	100	2	10.0
45MP2	45MFL2	25		
45MHP22	45MFH7	100	7	22.0
45MP3	45MFL3	25		
45MP4	45MLF4	25	4	35.0
45MP5	45MLF5	25		
85MHP5	85MFH1	100	1	5.0
85MP1	85MFL1	25		
85MHP17	85MFH2	100	2	17.0
85MP2	85MFL2	25		
85MHP40	85MFH7	100	7	40.0
85MP3	85MFL3	25		
85MP4	85MFL4	25	4	60.0
85MP5	85MFL5	25		

Classic Series Double Head

Adjustable Flow Rate Outputs Approximate gpd @ 60Hz

Model	Item Number Prefix	Maximum psi	Pump Tube	Feed Rate Control Setting										
				L	1	2	3	4	5	6	7	8	9	10
100DMHP5	100JH1	100	1	0.3	0.6	1.2	1.8	2.4	3.0	3.6	4.2	4.8	5.4	6.0
100DM1	100JL1	25		0.3	0.6	1.2	1.8	2.4	3.0	3.6	4.2	4.8	5.4	6.0
100DMHP20	100JH2	100	2	1.0	2.0	4.0	6.0	8.0	10.0	12.0	14.0	16.0	18.0	20.0
100DM2	100JL2	25		1.0	2.0	4.0	6.0	8.0	10.0	12.0	14.0	16.0	18.0	20.0
100DM3	100JL3	25	3	2.2	4.4	8.8	13.2	17.6	22.0	26.4	30.8	35.2	39.6	44.0
100DM4	100JL4	25		2.2	4.4	8.8	13.2	17.6	22.0	26.4	30.8	35.2	39.6	44.0
100DM5	100JL5	25	4	3.5	7.0	14.0	21.0	28.0	35.0	42.0	49.0	56.0	63.0	70.0
170DMHP9	170JH1	100		3.5	7.0	14.0	21.0	28.0	35.0	42.0	49.0	56.0	63.0	70.0
170DM1	170JL1	25	1	0.5	1.0	2.0	3.0	4.0	5.0	6.0	7.0	8.0	9.0	10.0
170DMHP34	170JH2	100		0.5	1.0	2.0	3.0	4.0	5.0	6.0	7.0	8.0	9.0	10.0
170DM2	170JL2	25	2	1.7	3.4	6.0	9.5	13.6	17.0	20.4	23.8	27.2	30.6	34.0
170DM3	170JL3	100		1.7	3.4	6.0	9.5	13.6	17.0	20.4	23.8	27.2	30.6	34.0
170DM4	170JL4	25	3	4.0	8.0	16.0	24.0	32.0	40.0	48.0	56.0	64.0	72.0	80.0
170DM5	170JL5	25		4.0	8.0	16.0	24.0	32.0	40.0	48.0	56.0	64.0	72.0	80.0

To Order, Build Pump Item Number Insert item number prefix and code for each specification.



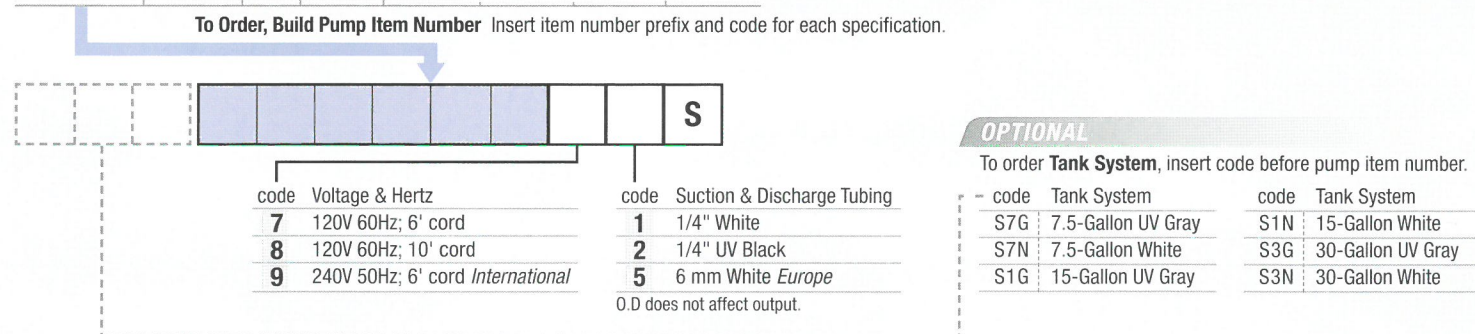
NOTE: Injection check valve is included with pump rated 100 psi (6.9 bar) maximum.

Econ T

Flow Rate Outputs Approximate gpd @ 50/60 Hz

Item Number Prefix	Maximum psi	Pump Tube	Roller Assembly	Gallons per Day	Gallons per Hour	Ounces per Hour	Ounces per Minute
E10T1A	25	A	White	2.5	0.10	13.2	0.22
E10T2A	25	A	White	5.0	0.21	26.4	0.44
E10T2B	25	B	White	8.5	0.35	45.6	0.76
E10T2C	25	C	White	15.0	0.63	79.8	1.33
E10T1F	80	F	White	0.6	0.02	3.0	0.05
E10T2F	80	F	White	1.3	0.05	6.6	0.11
E20T4F	80	F	White	3.4	0.14	18.0	0.30
E20T4G	80	G	Black	12.3	0.51	65.4	1.09
E20T4H	80	H	Black	21.7	0.90	115.2	1.92

NOTE: Injection check valve is included with pump rated 80 psi (5.5 bar) maximum.



NOTE: The information within these chart is solely intended for use as a guide. The output data is an approximation based on pumping water under a controlled testing environment. Many variables can affect the output of the pump. Stenner Pump Company recommends that all metering pumps undergo field calibration by means of analytical testing to confirm their outputs.

Accessories

Tanks

Item Number	Description
STS7GC	7.5-Gallon Gray
STS7NC	7.5-Gallon White
STS15GC	15-Gallon Gray
STS15NC	15-Gallon White
STS30GC	30-Gallon Gray
STS30NC	30-Gallon White

Tanks for Econ pumps require mounting kit, part number **EC303**.

Flow Indicator with Bracket

Item Number	Description
AK600	1/4"
AK700	3/8"
AK800	6 mm